

# 28" Top Mount Stainless Steel Refrigerator

**BFTF2716SS**



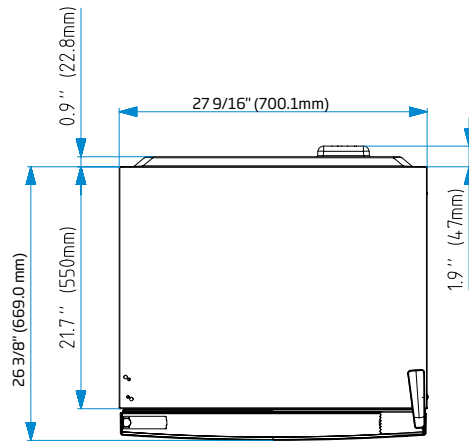
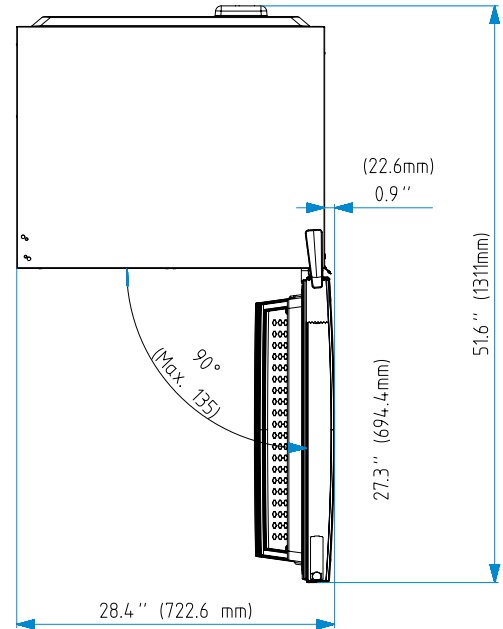
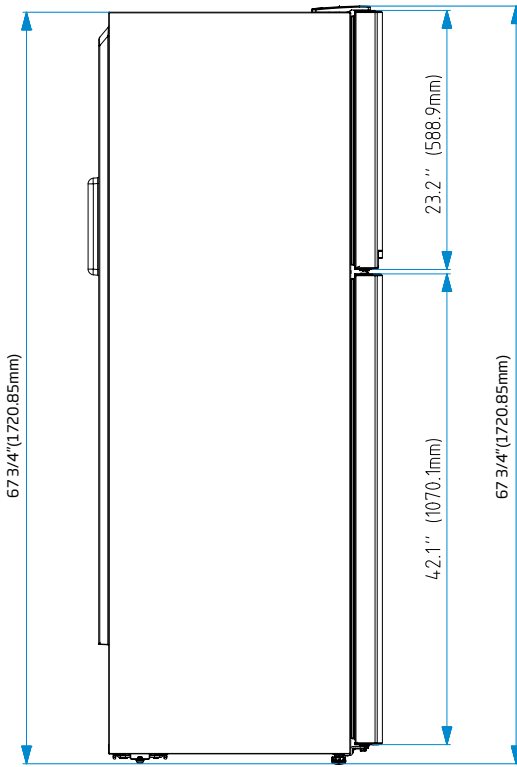
## KEY FEATURES

- Active Fresh Blue Light
- NeoFrost Dual Cooling Technology
- Digital Inner Display
- Electronic Controls

GENERAL	
Cooling System	NeoFrost Dual Cooling Technology
Control System	Electronic Controls
Finish	Stainless Steel
Field Reversible Door	Yes
CAPACITY	
Total Net Volume	13.53 cu. ft.
Fresh Food Net Volume	10.10 cu. ft.
Freezer Net Volume	3.43 cu. ft.
FRIDGE FEATURES	
Active Fresh Blue Light	Yes
Electronic Control Display Type	Digital Inner Display
Auto Defrost	Yes
Interior Illumination	LED- Side Walls
Shelves	3
Crispers	1
Door racks	3
Compressor	Variable Speed VCC
FREEZER FEATURES	
Auto DeFrost	Yes
Interior Illumination	Yes
Door Racks	2
PERFORMANCE	
Annual Energy Consumption	320 kWh/year
Cooling Gas	R600a
TECHNICAL INFORMATION	
Supply Voltage	120 V / 60Hz
Rated Current	1.25 A
Noise Level	38 dBA
DIMENSIONS	
H x W x D, in.	67 <sup>3</sup> / <sub>4</sub> " x 27 <sup>9</sup> / <sub>16</sub> " x 26 <sup>3</sup> / <sub>8</sub> "
Product Weight, lbs.	147.71 lbs. (67 kg)
H x W x D, cm	172.3 x 70 x 66.9 cm
Packed H x W x D, in.	71 <sup>3</sup> / <sub>10</sub> " x 29 <sup>9</sup> / <sub>10</sub> " x 28 <sup>7</sup> / <sub>10</sub> "
Packed Weight, lbs.	165.35 lbs. (75 kg)
Packed H x W x D, cm	181 x 76 x 73 cm

# 28" Top Mount Stainless Steel Refrigerator

BFTF2716SS



NOTE TO THE INSTALLER: All height, width, and depth dimensions are shown in inches (as well as metric). Beko U.S., Inc. reserves the absolute and unrestricted right to change product materials and specifications, at any time, without notice. Please visit our website, [www.BekoAppliances.com](http://www.BekoAppliances.com), or call 888.352.2356 to verify the latest specifications with final dimensional data and other details prior to installation and making a cutout. Applicable product limited warranty information may be found in accompanying product materials, or you may contact your account manager for further details. Proper installation is the responsibility of the installer. Product failure due to improper installation is not covered under the Limited Warranty.

888.352.BEKO(2356) | [BekoAppliances.com](http://BekoAppliances.com)

